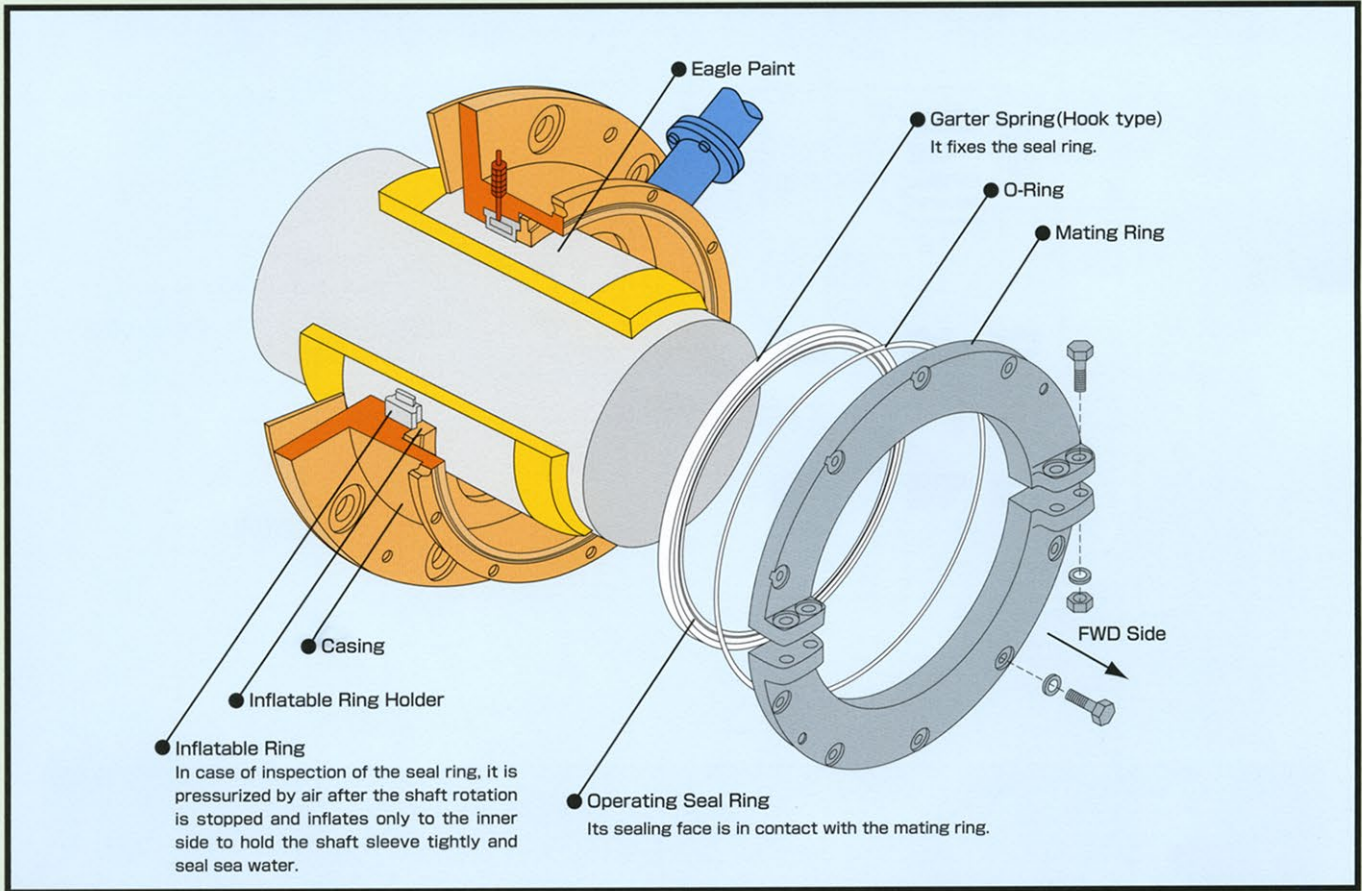
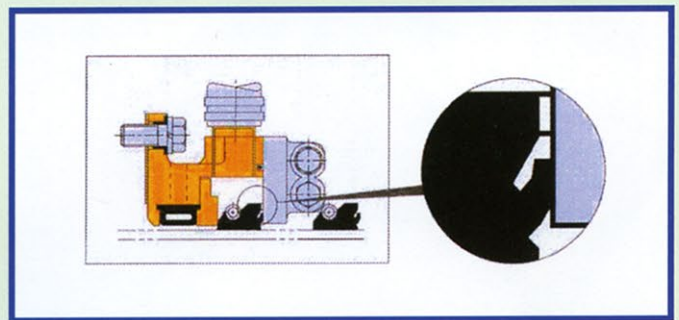


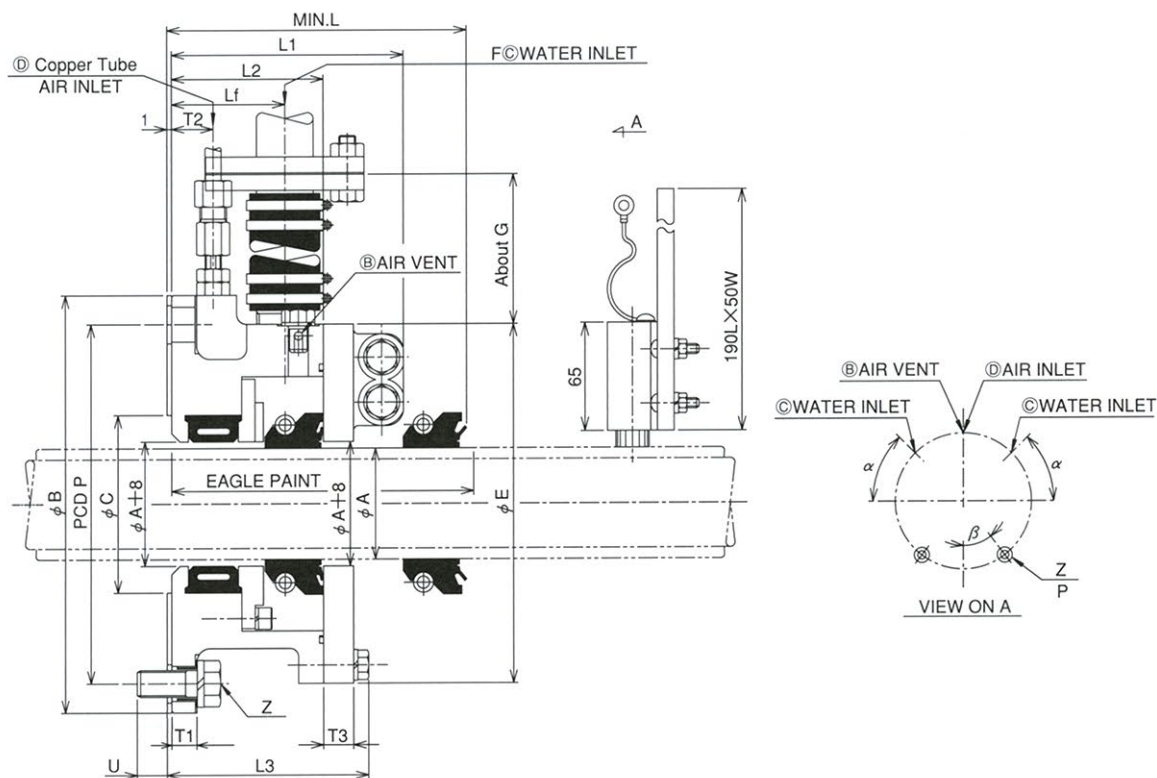
A compact, high performance water lubricated seal having excellent vibration resistance and sealing performance.



Specific Features

- **Excellent Sealing Performance with Shaft Vibration Resistance**
 Since it is an end face type seal consisting of the seal ring and the mating ring, it flexibly copes with complicated vibration and shaft deflection and shows excellent sealing performance.
- **No wear of shaft sleeve**
 The seal ring rotates together with the shaft sleeve and therefore, there is no wear of the shaft sleeve. "Eagle Paint" is provided on the surface of the shaft sleeve to prevent corrosion.
- **Easy Replacement of Parts**
 The seal ring and the inflatable ring can be easily bonded over the shaft by the vulcanizer. By working the inflatable ring, inspection and replacement of the seal ring on the sea can be easily done.
- **Maintenance Saving**
 The sealing faces of the seal ring and the mating ring are lubricated by sea water coming through the notches of the seal ring, and therefore daily maintenance will not be required.





| Size | Shaft Sleeve Dia. A | B | P | C | E | F | G | L1 | L2 | L3 | Lf | L | T1 | T2 | T3 | Z | U | α | β | Mass (kg) |
|------|---------------------|------|-----|-----|-----|-------|-----|-----|-----|-----|----|-----|----|----|----|-----------|----|----|------|-----------|
| 110 | 101~120 | 270 | 240 | 148 | 240 | 1-20A | 220 | 122 | 74 | 103 | 54 | 170 | 15 | 19 | 18 | 6-M12x35 | 16 | 30 | 30 | 20 |
| 130 | 121~140 | 290 | 260 | 168 | 260 | 1-20A | 220 | 122 | 74 | 103 | 54 | 170 | 15 | 19 | 18 | 6-M12x35 | 16 | 30 | 30 | 22 |
| 150 | 141~160 | 310 | 280 | 188 | 280 | 1-20A | 220 | 122 | 74 | 103 | 54 | 170 | 15 | 19 | 18 | 8-M12x35 | 16 | 45 | 22.5 | 25 |
| 170 | 161~180 | 330 | 300 | 208 | 300 | 1-20A | 220 | 122 | 74 | 103 | 54 | 170 | 15 | 19 | 18 | 8-M12x35 | 16 | 45 | 22.5 | 27 |
| 190 | 181~200 | 350 | 320 | 228 | 320 | 1-20A | 220 | 122 | 74 | 103 | 54 | 170 | 15 | 19 | 18 | 8-M12x35 | 16 | 45 | 22.5 | 29 |
| 210 | 201~220 | 385 | 350 | 248 | 345 | 1-25A | 320 | 122 | 74 | 104 | 51 | 170 | 15 | 19 | 18 | 6-M16x40 | 20 | 40 | 30 | 34 |
| 230 | 221~240 | 405 | 370 | 271 | 375 | 1-25A | 320 | 139 | 91 | 121 | 68 | 190 | 15 | 25 | 18 | 6-M16x40 | 20 | 40 | 30 | 42 |
| 250 | 241~260 | 425 | 390 | 291 | 395 | 1-25A | 320 | 139 | 91 | 121 | 68 | 190 | 15 | 25 | 18 | 6-M16x40 | 20 | 40 | 30 | 45 |
| 270 | 261~270 | 445 | 410 | 311 | 415 | 1-25A | 320 | 139 | 91 | 121 | 68 | 190 | 15 | 25 | 18 | 8-M16x40 | 20 | 45 | 22.5 | 49 |
| ∕ | 271~280 | ∕ | ∕ | ∕ | ∕ | 2-25A | ∕ | ∕ | ∕ | ∕ | ∕ | ∕ | ∕ | ∕ | ∕ | ∕ | ∕ | ∕ | ∕ | ∕ |
| 290 | 281~300 | 465 | 430 | 331 | 435 | 2-25A | 320 | 139 | 91 | 121 | 68 | 190 | 15 | 25 | 18 | 8-M16x40 | 20 | 45 | 22.5 | 52 |
| 310 | 301~320 | 485 | 450 | 351 | 455 | 2-25A | 320 | 139 | 91 | 121 | 68 | 190 | 15 | 25 | 18 | 8-M16x40 | 20 | 45 | 22.5 | 54 |
| 330 | 321~340 | 520 | 480 | 371 | 475 | 2-25A | 320 | 141 | 93 | 123 | 70 | 190 | 18 | 26 | 18 | 8-M20x50 | 26 | 45 | 22.5 | 63 |
| 350 | 341~360 | 540 | 500 | 391 | 495 | 2-25A | 320 | 141 | 93 | 123 | 70 | 190 | 18 | 26 | 18 | 8-M20x50 | 26 | 45 | 22.5 | 65 |
| 370 | 361~380 | 560 | 520 | 411 | 515 | 2-25A | 320 | 141 | 93 | 123 | 70 | 190 | 18 | 26 | 18 | 8-M20x50 | 26 | 45 | 22.5 | 68 |
| 390 | 381~400 | 580 | 540 | 431 | 535 | 2-25A | 320 | 141 | 93 | 123 | 70 | 190 | 18 | 26 | 18 | 8-M20x50 | 26 | 45 | 22.5 | 71 |
| 410 | 401~420 | 640 | 580 | 515 | 580 | 2-32A | 135 | 167 | 106 | 145 | 72 | 215 | 22 | 29 | 25 | 8-M24x60 | 31 | 45 | 22.5 | 101 |
| 430 | 421~440 | 660 | 600 | 535 | 600 | 2-32A | 135 | 167 | 106 | 145 | 72 | 215 | 22 | 29 | 25 | 8-M24x60 | 31 | 45 | 22.5 | 110 |
| 450 | 441~460 | 680 | 620 | 555 | 620 | 2-32A | 135 | 167 | 106 | 145 | 72 | 215 | 22 | 29 | 25 | 8-M24x60 | 31 | 45 | 22.5 | 118 |
| 470 | 461~480 | 700 | 640 | 575 | 640 | 2-32A | 135 | 167 | 106 | 145 | 72 | 215 | 22 | 29 | 25 | 8-M24x60 | 31 | 45 | 22.5 | 126 |
| 490 | 481~500 | 720 | 660 | 595 | 660 | 2-40A | 135 | 167 | 106 | 145 | 72 | 215 | 22 | 29 | 25 | 8-M24x60 | 31 | 45 | 22.5 | 132 |
| 510 | 501~520 | 760 | 700 | 615 | 680 | 2-40A | 135 | 186 | 125 | 164 | 82 | 230 | 30 | 34 | 25 | 12-M24x70 | 33 | 30 | 15 | 161 |
| 530 | 521~540 | 780 | 720 | 635 | 700 | 2-40A | 135 | 186 | 125 | 164 | 82 | 230 | 30 | 34 | 25 | 12-M24x70 | 33 | 30 | 15 | 167 |
| 550 | 541~560 | 800 | 740 | 655 | 720 | 2-40A | 135 | 186 | 125 | 164 | 82 | 230 | 30 | 34 | 25 | 12-M24x70 | 33 | 30 | 15 | 180 |
| 570 | 561~580 | 820 | 760 | 675 | 740 | 2-40A | 135 | 186 | 125 | 164 | 82 | 230 | 30 | 34 | 25 | 12-M24x70 | 33 | 30 | 15 | 190 |
| 590 | 581~600 | 840 | 780 | 695 | 760 | 2-40A | 135 | 186 | 125 | 164 | 82 | 230 | 30 | 34 | 25 | 12-M24x70 | 33 | 30 | 15 | 200 |
| 610 | 601~620 | 860 | 800 | 715 | 780 | 2-40A | 135 | 187 | 125 | 164 | 82 | 230 | 30 | 34 | 25 | 12-M24x70 | 33 | 30 | 15 | 210 |
| 630 | 621~640 | 880 | 820 | 735 | 800 | 2-40A | 135 | 187 | 125 | 164 | 82 | 230 | 30 | 34 | 25 | 12-M24x70 | 33 | 30 | 15 | 220 |
| 650 | 641~660 | 900 | 840 | 755 | 820 | 2-40A | 135 | 160 | 125 | 175 | 82 | 230 | 30 | 34 | 35 | 12-M24x70 | 33 | 30 | 15 | 240 |
| 670 | 661~680 | 950 | 870 | 775 | 850 | 2-40A | 150 | 162 | 127 | 177 | 84 | 230 | 30 | 36 | 35 | 12-M30x80 | 42 | 30 | 15 | 275 |
| 690 | 681~700 | 970 | 890 | 795 | 870 | 2-40A | 150 | 162 | 127 | 177 | 84 | 230 | 30 | 36 | 35 | 12-M30x80 | 42 | 30 | 15 | 282 |
| 710 | 701~720 | 990 | 910 | 815 | 890 | 2-40A | 150 | 162 | 127 | 177 | 84 | 230 | 30 | 36 | 35 | 12-M30x80 | 42 | 30 | 15 | 289 |
| 730 | 721~740 | 1010 | 930 | 835 | 910 | 2-40A | 150 | 162 | 127 | 177 | 84 | 230 | 30 | 36 | 35 | 12-M30x80 | 42 | 30 | 15 | 296 |
| 750 | 741~760 | 1030 | 950 | 855 | 930 | 2-40A | 150 | 162 | 127 | 177 | 84 | 230 | 30 | 36 | 35 | 12-M30x80 | 42 | 30 | 15 | 303 |
| 770 | 761~780 | 1050 | 970 | 875 | 950 | 2-40A | 150 | 162 | 127 | 177 | 84 | 230 | 30 | 36 | 35 | 12-M30x80 | 42 | 30 | 15 | 310 |
| 790 | 781~800 | 1070 | 990 | 895 | 970 | 2-40A | 150 | 162 | 127 | 177 | 84 | 230 | 30 | 36 | 35 | 12-M30x80 | 42 | 30 | 15 | 317 |

*Pleas note that other non standard size can be manufactured upon request.

*Longer bolts can be supplied upon request when the bearing flange is fixed between the stern tube and the EVK seal.